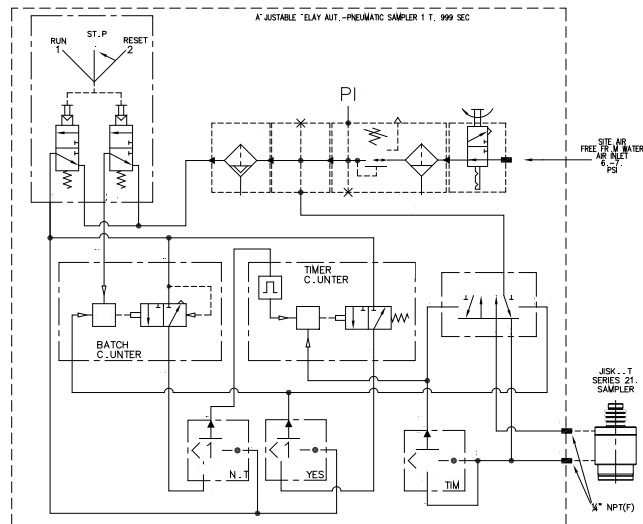




Pneumatic Sampler Controller

The Jiskoot pneumatic sampler controller is designed for controlling time proportional sampling systems in applications where there is no power or where normal hazardous area equipment is not suitable.

The controller is suitable for use with Jiskoot 210P cell and probe sampler based systems where compliance with the API and ISO sampling standards is



not required. The controller actuates the sampler with a time proportional 'grab' control signal generated by the pneumatic controller. In stable flow conditions this ensures that the sample taken is representative of the whole batch.

The pneumatic sampler controller is compact and easy to use. The operator simply sets the 'intergrab' interval using the timer counter and the sample volume is set by entering the number of grabs required on the batch counter. Sampling of the batch can be stopped and restarted at any time.

Data Sheet SI27-0505-1 • Pneumatic Sampler Controller



UK
Jiskoot Quality Systems
Tel: +44 (0)1892 518000
Fax: +44 (0)1892 518100
Email: ms-jiskootuksales@c-a-m.com

USA
Jiskoot Quality Systems
Tel: +1 281 583 0583
Fax: +1 281 583 0587
Email: ms-jiskootusales@c-a-m.com

Cameron
Measurement Systems
Tel: +1 281 582 9500
Fax: +1 281 582 9599
Email: ms-marketing@c-a-m.com

Jiskoot Quality Systems
A Cameron Company
www.jiskoot.com
 www.c-a-m.com/flo



MEASUREMENT SYSTEMS